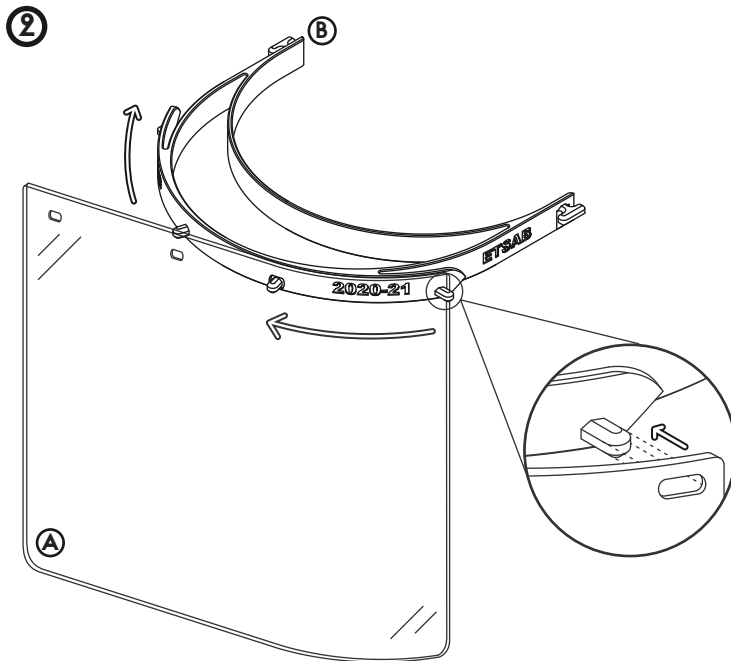
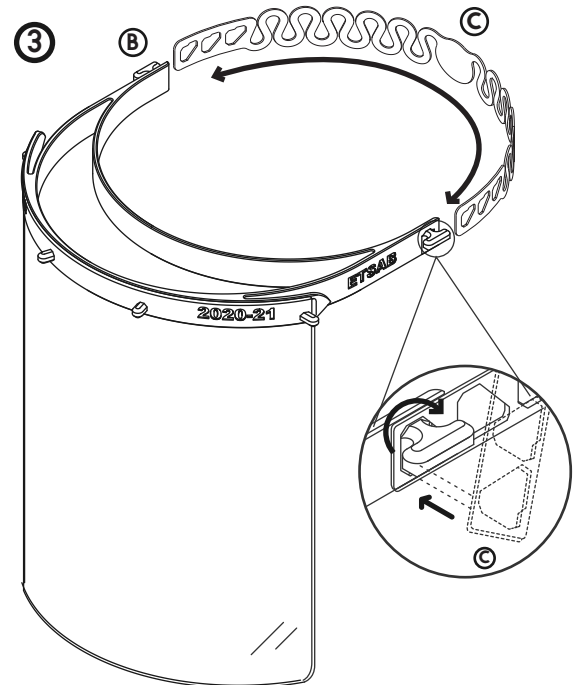


Remove the plastic from both sides (pieces A & C)



Mount the protection over the visor, inserting the holes in the 4 pivots, starting on one end. The last pivot comes under pressure.



Attach the strap to the back. The piece has with multiple grooves to adjust the distance.